

Selection Criteria for Hendor centrifugal pumps

Company	
Contactperson	
Date	

1. Liquid

Description / chemical formula

--

Nature

Concentration (%)	
Temperature (°C)	
pH	
Specific gravity (kg/dm3)	
Viscosity (cSt)	

Liquid is not contaminated	
Liquid is contaminated	
- with abrasive particles	
- with gel like parts	
Risk of cristallisation exists	

2. Pump

Specify customer preferences

Main job of pump

Circulation	
Filtration	
Transport	
Spraying	
Rinsing	
New or replacement pump?	

Flow required

Litres / hour	
---------------	--

Operation

Continuous	
Intermittent	

Pump material

PP	
PVDF	
Stainless steel	

O-rings

EPDM	
Viton	
FEP	

Connections

Union with	PP socket	
	PVDF socket	
	(C)PVC socket	
Hose connector		
Flange		

Electric

Volt	
Phase	
Hertz	

Startup

Direct	
Soft starter	
Star / delta	

Pump style

Horizontal (magnetic drive)	
Horizontal (mechanical seal)	
Vertical (in tank)	
Vertical (out of tank)	

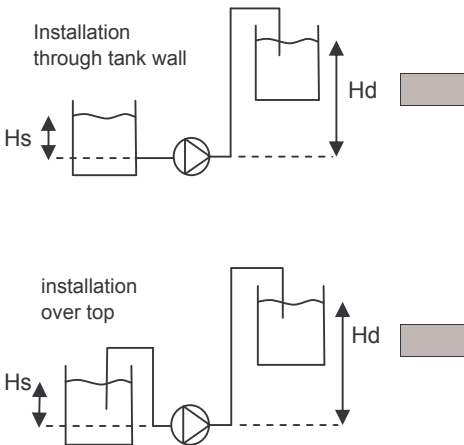
3. System

Select horizontal or vertical pump type of installation

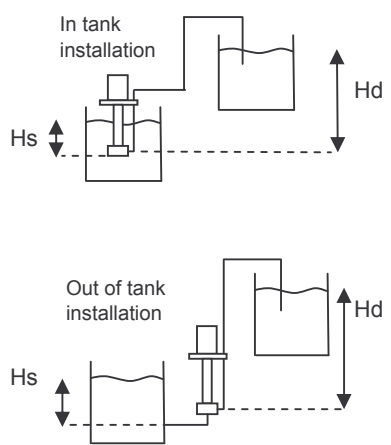
S = Suction side

D = Discharge side

Horizontal pump



Vertical pump



Liquid level (m)	Hs	Hd
Pipe	S	D
Length horiz.+ vertical (m)		
Inner diameter (mm)		
Qty Fittings / valves	S	D
Elbow 90 o		
Elbow 45 o		
Tee 90 o		
Ball valve		
Diaphragm valve		
Y-strainer		
Non return valve		
Extra in line resistance		D
Eductors		
Spraying nozzles		
Filter		
Heat exchanger		

4. Remarks

--

Important

Most pump problems are caused by poor suction conditions. The bigger the pump and the higher the temperature, the more important, that pump and pipework match.

By returning this completed form, Hendor can advise in selecting the correct pump.

