

270 - 2,700 us-gph

Typical applications

Plating - Rinsing - Filtration

Features

- Immersion length series D90 11" / D120 16"
- Environmentally safe in-tank installation
- Free turning shaft - no seal
- Self priming - can run dry
- Full length motor shaft
- Outlet sockets available in PP, PVDF and CPVC

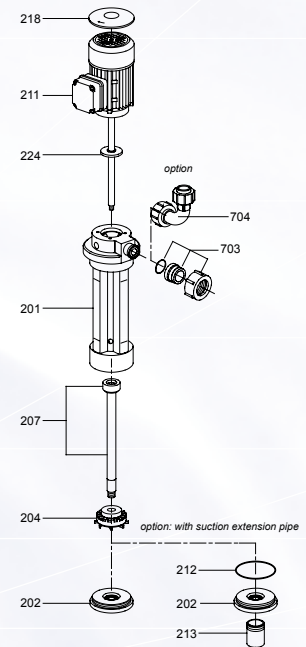
Options

- Suction extension pipe
- Hose connection

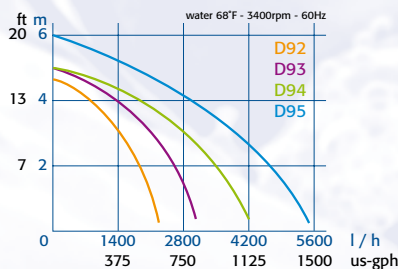


D92

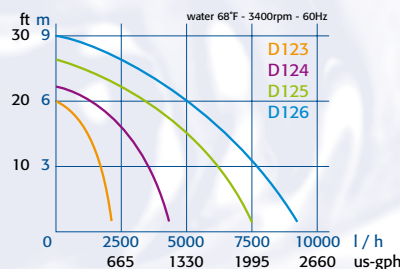
D123



Vertical pumps series D90 / D120 - PP/PVDF



Type	Material	HP	Out pipe size
D92		1/6	
D93	PP/PVDF	1/4	3/4"
D94		1/3	
D95		1/2	



Type	Material	HP	Out pipe size
D123		1/4	
D124	PP/PVDF	1/3	1"
D125		1/2	
D126		3/4	

www.hendor.com

