

1.000 - 3.000 l/h

Typical applications

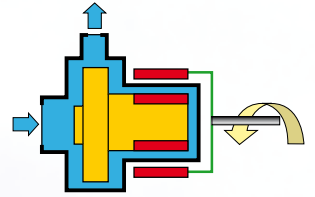
- Ideal for clean or slightly contaminated acids and alkalines
- Suitable for most plating solutions
- Not suitable for electroless nickel and abrasive solutions or solutions which contain ferrous particles

Features

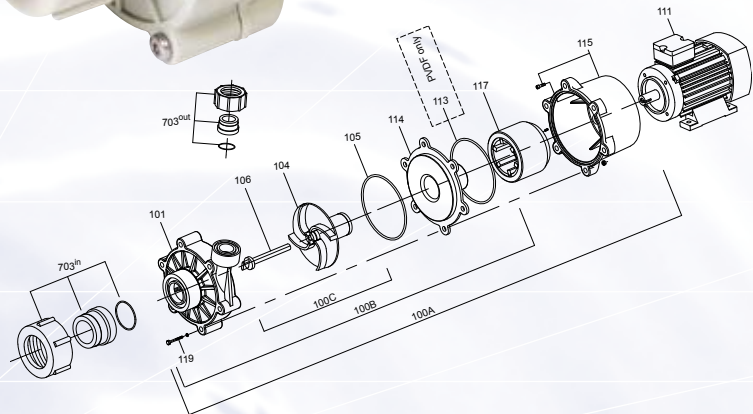
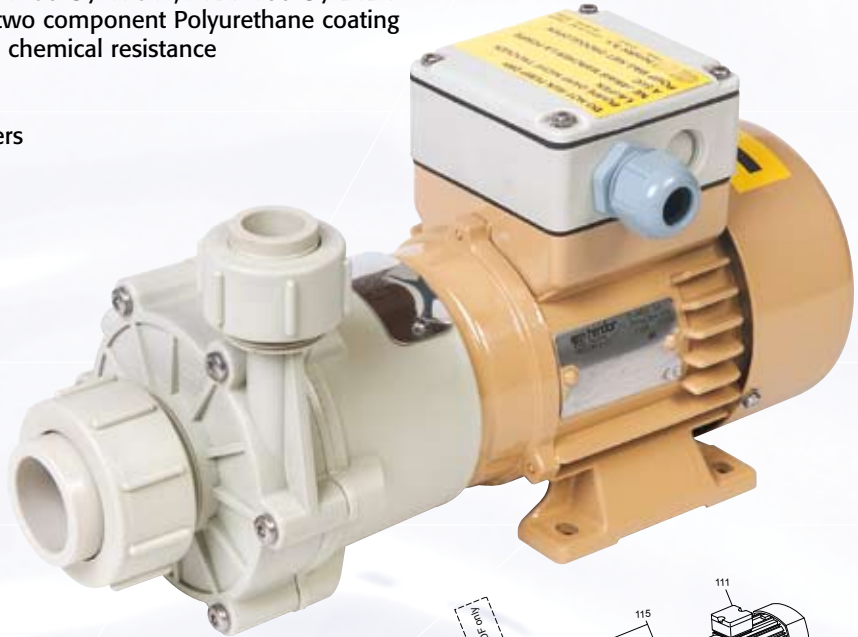
- Magnetic drive
- Sealless, therefore leakfree
- Provide extra safety factor for aggressive and expensive liquids
- Standard with GF union connetions with a choice of sockets, available in PP, PVDF and CPVC
- Max. temp. PP 80°C / 176°F, PVDF 100°C / 212°F
- Motor with two component Polyurethane coating for excellent chemical resistance

Options

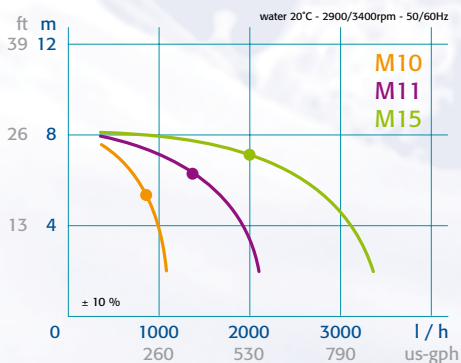
- Hose adapters



M10



Magnetic drive pumps M10/11/15 - PP/PVDF



Type	Motor kW HP	Max SG at BEP	Net weight kg	In *) d/DN	Out *) d/DN
M10	0,18 1/4	1,25	5	32/25	20/15
M11	0,18 1/4	1,22	5	32/25	20/15
M15	0,18 1/4	1,19	5	32/25	20/15

*) d/DN=OD/ID metric size pipe

Best Efficiency Point (BEP)

