

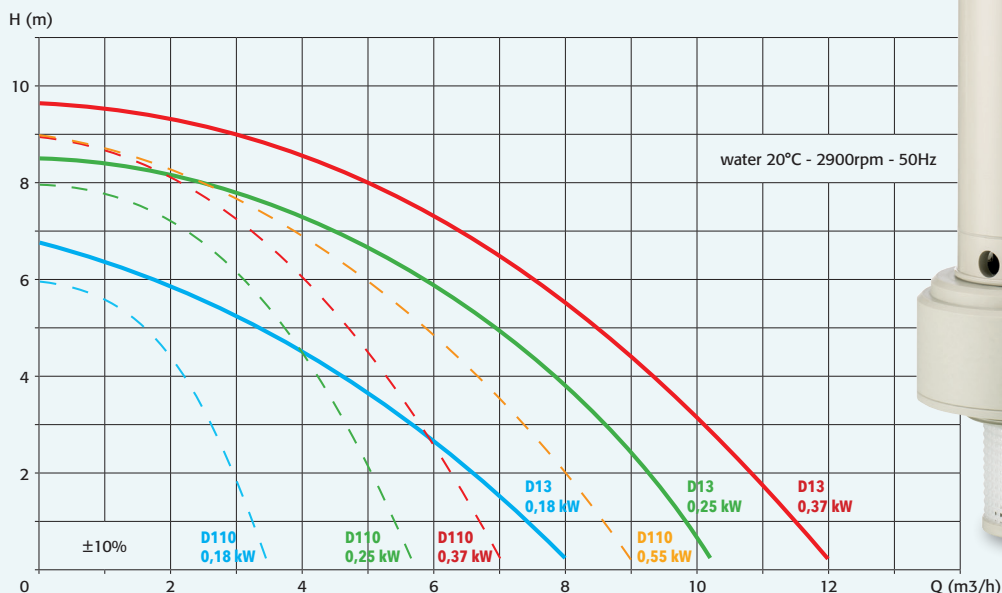
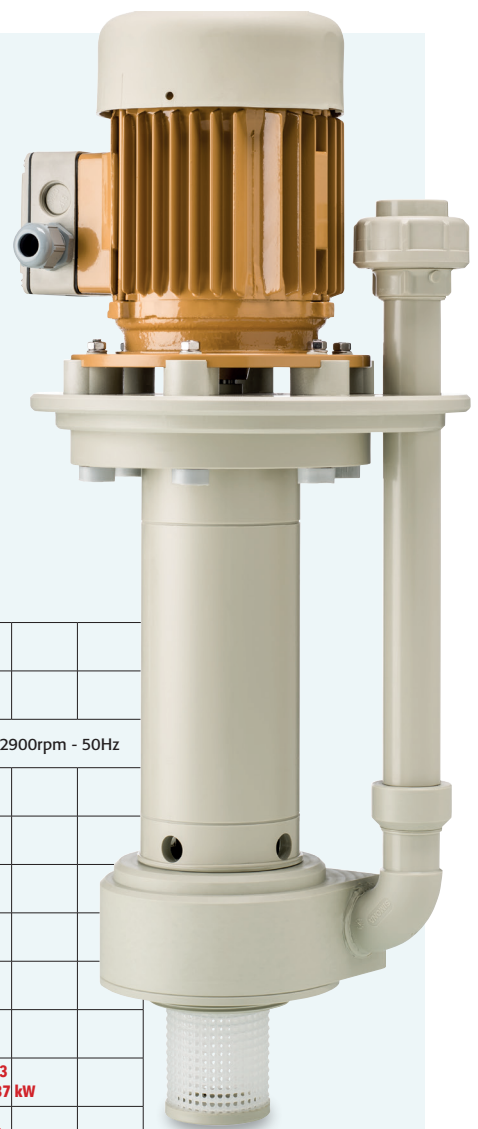
THE NEXT HENDOR INNOVATION

D13 - Series high efficient sealless vertical pumps

Successor of D110 series Providing cost saving by energy saving

Hendor is pleased to introduce the new and innovative D13. The new D13 series will replace the D110 series as a 1-on-1 drop-in replacement. The superb hydrodynamic design allows this new pump to provide 33% more flow with a 33% smaller motor. Resulting in a **power saving of 42%**, again proving the Hendor higher flow with smaller motor design concept.

This new innovative pump was chosen as winner by a renowned German Reel-to-Reel plating company after thorough evaluation and comparison with its peers. The new D13 was chosen because of its solid construction (providing a long service life and low down time), its high flow rate vs motor size and power saving potential.



For questions or further information, please contact us at sales@hendor.com or visit our website [product page D13](#)