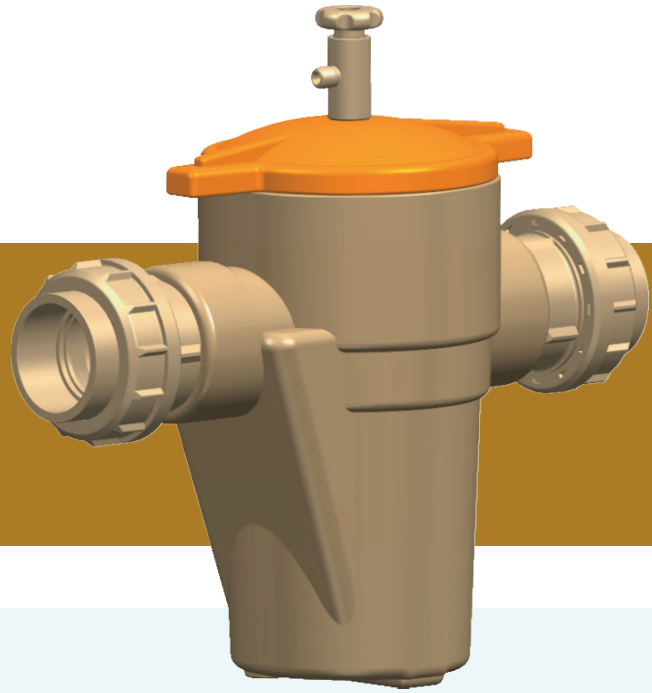


BASKET STRAINERS

BS35-DN50-PP
BS70-DN90-PP



BS35-DN50-PP

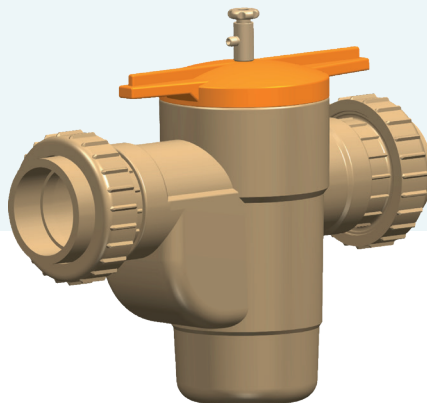
Hendor basket strainers are designed to protect pumps for large incoming particles. This can prevent serious damage of your pumps and will therefore reduce maintenance cost and process down time. The strainer should be integrated in the suction pipe work of the pump, keeping the liquid velocity below 1,5 m/sec. Its screwcap construction allows easy maintenance and cleaning. It is important to keep the strainer clean to prevent clogging which also can lead to pump damage.

Features

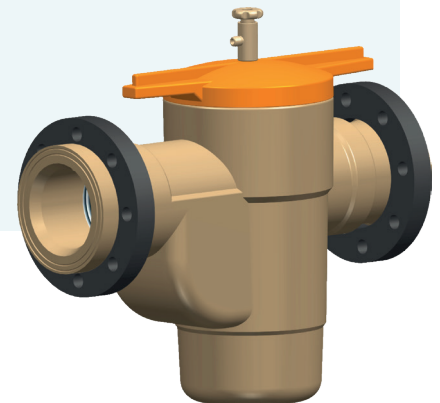
- Basket with 3 mm width perforation
- Material glass reinforced PP
- Including complete +GF+ union ends
- EPDM elastomers
- Max. temperature 80°C
- Pressure rating 10 bar @ 20°C, non-shock
- Air release in cover

Options

- Butt fusion union end or flange connections
- Specific elastomers
- Magnet insert, PP encapsulated



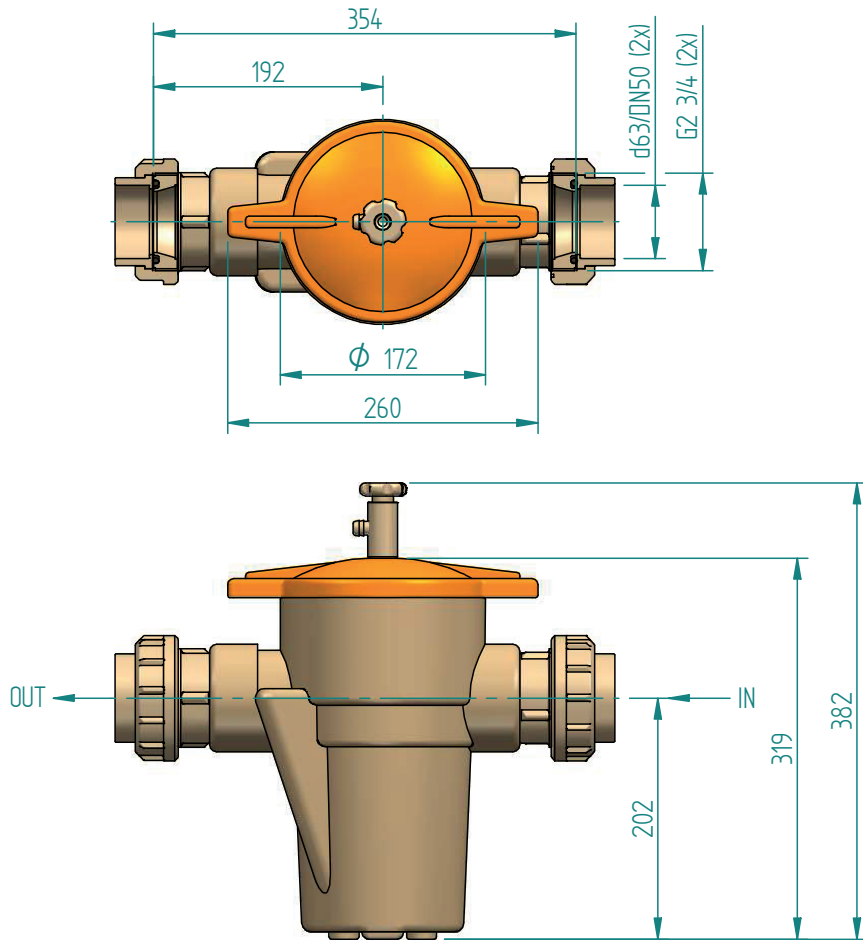
BS70-DN90-PP



Optional with flanges

Type	In (d/DN)	Out (d/DN)
BS35-DN50-PP	63/50	
BS70-DN90-PP	110/90	

BS35-DN50-PP



BS70-DN90-PP

